



EUROCAVE

PROFESSIONAL

WB 2.0

Range	Wine Bar
Function	2 temperatures <i>Service</i>
Capacity*	2 bottles at serving temperature

GENERAL FEATURES

Dimensions unpacked	: 491 x 315 x 268 mm (HxWxD)
Dimensions packaged	: 590 x 415 x 335 mm (HxWxD)
Dimensions door open	: 491 x 315 x 553 mm (HxWxD)
Net Weight	: 13.8 kg
Gross weight packaged	: 17.1 kg

WARRANTY

2 years

PRODUCT CHARACTERISTICS

FUNCTIONALITIES

- 2 independent compartments with preset temperatures: 8 ° C for white wines and 16 ° C for red wines. (46-61°F)
- Both compartments can hold red or white wine
- The bottles are preserved up to 10 days, thanks to an exclusive vacuum system (depending on the wine and its vintage)

COLD TECHNOLOGY AND INSULATION

Production of cold air	ventilated cold air
	Thermoelectric module
Cords (external power)	CE/US/UK/JA/C6/CH/CN/AU
Type of walls	ABS
Type of exterior coating	Black metal/glass/aluminum frame
Type of insulation	expanded polystyrene
Type of glass	Double glazing

FITTINGS & ACCESSORIES

- Full glass door with safety lock
- Interior lighting with adjustable multicolor LED (approx. 50 shades) – with remote control
- Frequency detector when lighting is on
- Thermal insulation
- Individual wine preservation
- Air extraction fault warning indicators
- Excess condensation water collected in a drawer
- Made in China

ENERGY CONSUMPTION AND PERFORMANCE

Consumption per 24hrs* *(KWh)	<1
Ambient temperature operating limits	18 à 30°C (64-86°F)
Electrical Power (at 25°C – 77°F)	81 W



WINE { BAR 2.0



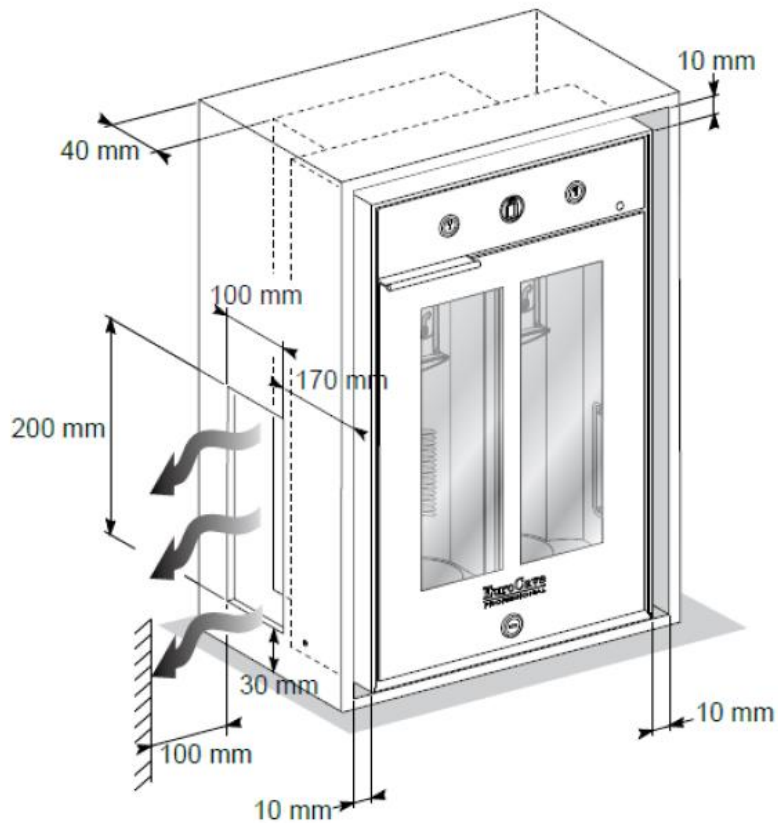
Can be flush-fitted (see requirements to be met)

* Traditional Bordeaux bottles

** Calculation based on the result obtained over 24 hrs in standard conditions (25°C / 77°F)

<http://eurocavepro.com/>

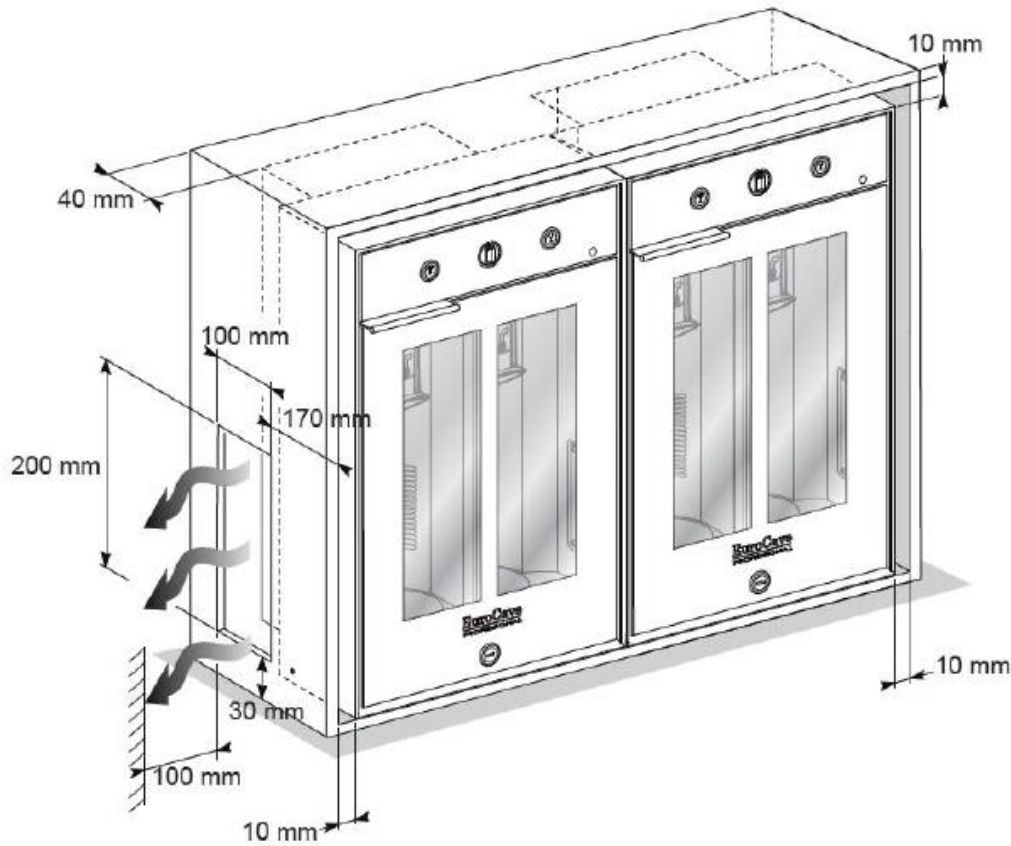
Flush-fitting diagram



Safety precautions when building-in a Wine Bar 2.0

- Leave 10 mm free around the product ; 40 mm at the rear
- In front of the air vents on each side of the Wine Bar, two openings (100x200mm) are necessary to ensure proper evacuation of air and ensure the proper functioning of the product.

Flush-fitting diagram for 2 WB 2.0 side by side



Safety precautions when building-in a Wine Bar 2.0

- Leave 10 mm free around the product ; 40 mm at the rear
- In front of the air vents on each side of the Wine Bar, two openings (100x200mm) are necessary to ensure proper evacuation of air and ensure the proper functioning of the product.
- Ambient use temperatures: 18-28°C (64-82°F) in this configuration